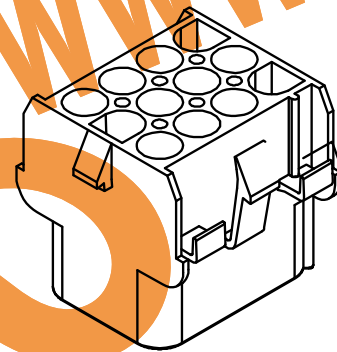
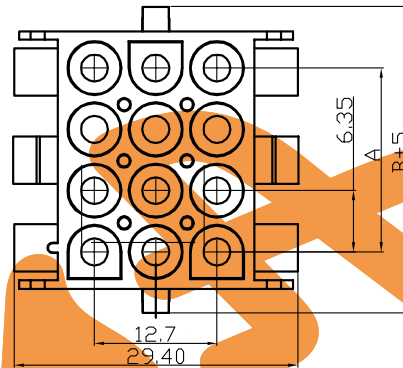
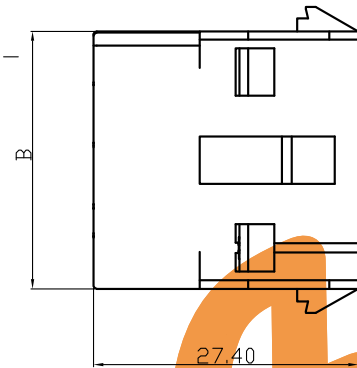
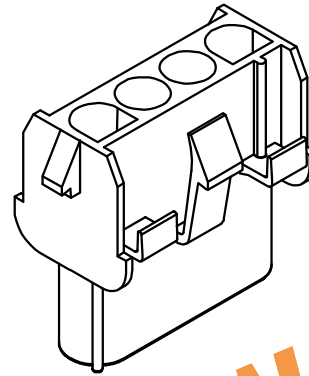
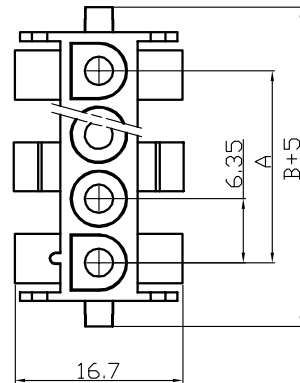
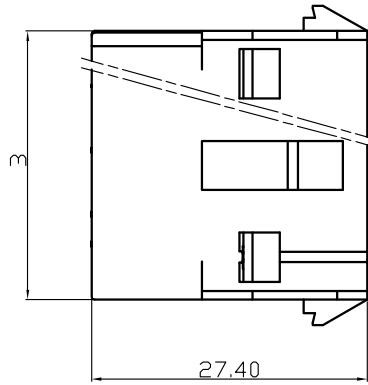


63080 Type Housing



Poles	Part No.		Dimensions	
			A	B
2	WW6352-H02	63080-2A	6.35	14
3	WW6352-H03	63080-3A	12.7	20.35
4	WW6352-H04	63080-4A	19.05	26.7
5	WW6352-H05	63080-5A	25.4	33.05

Poles	Part No.		Dimensions	
			A	B
6	WW6352-H02x3	63080-3x2A	6.35	14
9	WW6352-H03x3	63080-3x3A	12.7	20.35
12	WW6352-H04x3	63080-3x4A	19.05	26.7
15	WW6352-H05x3	63080-3x5A	25.4	33.05

Model 63080-R
Poles 2 ~ 6 / 2 x 2 / 2 x 3 ~ 5 x 3 P
Rated voltage 300 V AC/DC
Rated current 8 A
Applicable wire AWG #24 ~ #20
Contact resistance ≤ 20 mΩ
Insulation resistance ≥ 1000 MΩ
Withstand voltage 1000 V AC/min
Temperature range -25 °C ~ 85 °C



AsA Electronic Co.

Tel : (+98) 21 66 73 56 82 Mob : (+98) 912 03 161 02

	Housing	PA66(UL94V-0V-2)	1	White	
No.	Item/Material No.	Material	QTY	Remark	
Unmarked Tolerance					
Unit		Scale	Design Unit	Size	Part No.
mm		—	Metric	A4	⊕ □
Draw	Review	Approve	Material	Drawing No.	Part No.
			Item	63080-NA	